

EyenuTs

Product information



Certification: As standard; EC Declaration of Conformity

... [Read more](#)

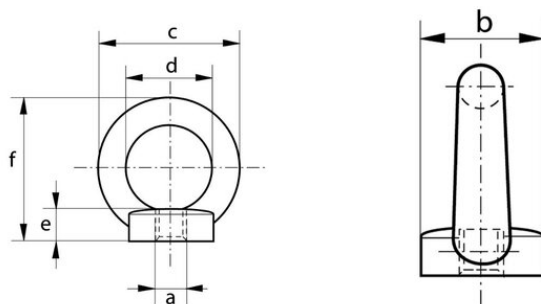
Material: High tensile steel

Finish: Self colour

Safety factor: MBL equals 5 x SWL

Eyenuits

Blueprint



Technical data

Part code	WLL ton	a mm	b mm mm	c mm	dmm mm	e mm mm	f mm mm	Weight kg
421100030160	0.3	10	13	29	44	22	78	0.25
421100050160	0.5	12	13	29	44	22	78	0.26
421100080160	0.8	16	13	29	44	22	78	0.27
421100120160	1.2	20	16	39	49	26	84	0.45
421100220160	2.2	24	19	44	52	38	111	0.79