

Thimble Heavy Duty G-6142

Product information



Heavy duty thimble for protection of steel wire. Recommended for rotation resistant steel wire rope and steel wire rope with steel core.

Certification on request: 2.1

Standard: Generally to US Federal Specification FF-T-276b type III.

[... Read more](#)

Material: Mild steel

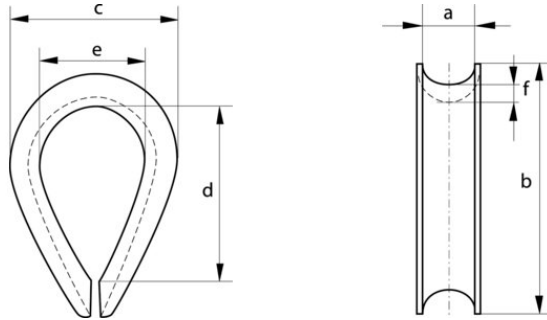
Marking: According to standard, CE-marked

Finish: Hot dipped galvanized

Standard: EN 13411-1

Thimble Heavy Duty G-6142

Blueprint



Technical data

Part code	Rope Ø range mm	A mm	B mm	C mm	D mm	e mm	f mm	Weight kg/100pc
123100600280	6	7	55,5	38	41	22	1,6	2.7
123100800280	8	9	63,5	46	47,5	27	2	5.1
123100900280	9	10	73	54	54	28,5	2,8	9.1
123101100280	11	12	82,5	60	60	32	3,2	13.9
123101300280	13	13,5	92	70	70	38	3,6	19.9
123101400280	14	15	92	68	70	38	3,6	20.5
123101600280	16	16,5	108	79	82,5	44,5	4	29.8
123101900280	19	20	127	97	95	51	5,5	60.8
123102200280	22	24	140	108	108	57	5,5	80.4
123102500280	25	27	156	125	114	63,5	6,3	109
123103200280	28-32	30	178	149	130	73	6,3	147
123103500280	32-35	33	205	173	159	89	12,7	366
123103800280	35-38	36,5	229	181	165	89	12,7	478
123104100280	41	43,5	286	206	203	102	12,7	731
123104500280	45	47	310	216	229	114	12,7	778
123105100280	48-51	50	384	264	305	152	12,7	1.15
123105700280	57	59,5	435	302	356	178	12,7	1.935
123106400280	64	66	464	311	378	178	19	2.64
123107600280	76	78,5	514	356	419	200	19	3.85