

Shackle Crosby G-2160, Wide Body

Product information



Design: Wide body shackle. Shackle with improved bow radius that greatly improves life of wire rope slings. Can be used to connect wire rope slings, high strength synthetic web slings or high strengths ynthetic round slings. Approved for use at -40 degree C to 204 degree C. Shackles 18t and larger have DNV Type Approval to Rules for Certification of Lifting Appliances, and are produced in accordance with DNV MSA requirements.

Proof load: All 2160 shackles are individually proof tested and magnetic particle inspected. Sizes 300 metric tons and smaller are proof tested to 2 times the Working Load Limit, sizes 400 metric tons and larger are tested to 1.33 times Working Load Limit.

[... Read more](#)

Material: Forged alloy steel from 7 through 300 metric tons. Cast alloy steel from 400 through 1550 metric tons.

Marking: According to standard, CE-marked, WLL. Shackles, 30t and larger, are RFID EQUIPPED.

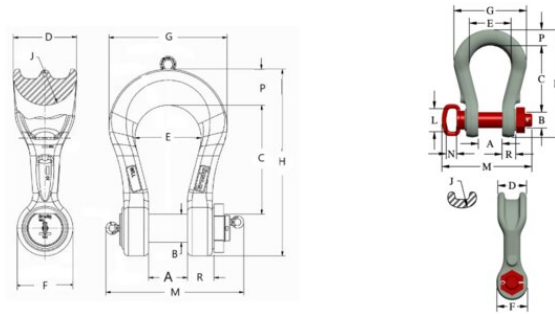
Finish: 7-55 tons are galvanized with painted pin. 75t and larger, bows are furnished Dimetcoated, and pins are Dimetcoated, then painted.

Standard: DNV-OS-E101, DNV-ST-0377, DNV-ST-0378

Safety factor: 7-300 t 5:1 ; 400 t < 4,5:1.

Shackle Crosby G-2160, Wide Body

Blueprint



Technical data

Part code	WLL ton	Effective body Ø mm	A mm	B mm	C mm	D, mm	E mm	F mm	G, mm	H, mm	J mm	K mm	L mm	Mmm mm	Nmm mm	Pmm mm	Rmm mm	Weight kg
420100700260	7	53	32	22	90	41	64	46	104	149	32	32	-	105	-	24	18	1.81
420101250260	12.5	61	43	29	118	54	83	61	140	194	35	41	-	137	-	32	23	3.99
420101800260	18	71	52	35	148	64	102	68	172	238	38	51	-	170	-	36	30	6.76
420103000260	30	104	70	41	176	80	127	89	216	289	64	64	-	206	-	45	35	11.9
420104000260	40	91	86	51	205	95	152	102	270	346	44	76	-	259	-	59	43	21.2
420105500260	55	109	83	57	238	114	178	118	311	397	51	89	-	263	-	67	51	30.8
420107500260	75	160	105	70	293	127	185	136	321	474	95	93	102	382	46	70	61	50.8
420112500260	125	173	130	80	365	150	220	165	393	584	95	110	102	465	46	89	79	87.5
420120000260	200	241	150	105	480	217	275	214	515	773	133	138	102	491	46	126	86	191
420130000260	300	290	187	133	600	264	321	267	608	957	156	160	102	574	46	147	109	365
420140000260	400	363	220	160	620	360	375	314	668	1,062	183	188	-	780	-	205	150	535
420150000260	500	439	250	180	685	435	455	340	792	1,190	222	228	-	863	-	245	164	796
420160000260	600	480	276	200	740	475	489	375	816	1,292	243	263	-	938	-	265	182	1,002
420180000260	800	540	342	230	820	536	554	440	904	1,462	272	300	-	1,078	-	307	212	1,535
420110000261	1,000	643	404	270	850	610	640	500	1,116	1,584	338	320	-	1,187	-	349	233	2,263
420112500261	1,250	709	442	300	928	675	708	570	1,259	1,749	371	354	-	1,322	-	386	249	3,085
420115500261	1,550	757	470	320	1,010	720	755	615	1,314	1,891	397	379	-	1,427	-	413	290	3,802
420120000261	2,000	816	520	385	1,140	770	810	680	1,412	2,120	431	405	-	1,597	-	447	323	5,383