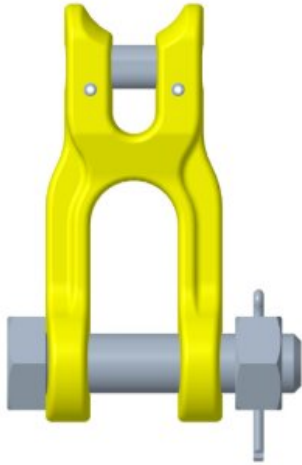


## Narrow Jaw Shackle Gunnebo KDN



### Product information

Narrow jaw shackle for connection from pad eye or similar directly to chain.

**Material:** Alloy Steel.

**Marking:** According to standard, Manufacturer's symbol and Grade.

**Standard:** EN 1677-1

**Safety factor:** 4:1

**Grade:** 10

Part code	Code	WLL ton	A,	B,	C,	R mm	D,	Weight kg
420100201070	KDN7N	2	36	42	20	57	14	0.26
420100401070	KDN10N	4	53	58	28	83	20	0.85
420100671070	KDN13N	6.7	72	74	35	106	24	1.68
420101001070	KDN16N	10	83	90	44	127	30	3.14

# Blueprint

