

Vertical Lifting Clamp IPU10/H

Product information



The IP10H vertical lifting clamps are used for the lifting, turning, moving or vertical transfer of **very hard** (up to 472HV10 (450 HB) sheet, plates, or fabrications, from horizontal to vertical and down to horizontal (180°) as needed. The hinged hoisting eye (a.k.a. universal eye) allows for the clamp to place and lift the load from any direction, or with a multiple leg sling without side-loading the clamp. Available in a variety of models:

- IPU10 - Standard clamp for materials with a surface hardness to 363HV10 (345 HB).
- IPU10J - Larger jaw opening.
- IPU10S - For use with Stainless Steel material.
- IPU10H - For use with materials with a surface hardness to 472HV10 (450 HB).

Features:

- Available in capacities of 0.5 thru 6 metric tons
- Higher Working Load Limits are available upon request.
- Wide variety of jaw openings available: 0 to 50 mm.
- Welded alloy steel body for strength and smaller size. Forged alloy components, where required.
- Individually Proof Tested to 2 times the Working Load Limit with certification.
- User manual and test certificate included with each clamp.
- Full 180° turning range for material transfer, turning or moving.
- Lock open, lock closed ability with latch for pretension on material and then release of material.
- Maintenance and repair kits are available.
- All sizes are RFID EQUIPPED.

[... Read more](#)

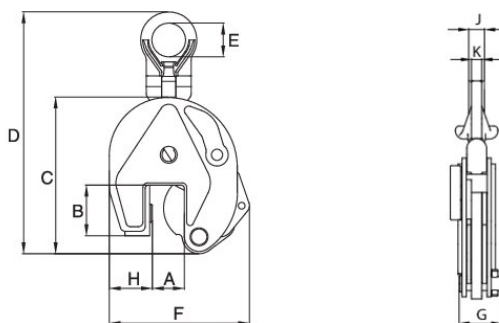
Marking: CE-marked, Logo, WLL, jaw capacity, serial number, proof load test date

Temperature range: -40°C up to +100°C

Note: Min. load is 10% of WLL.

Vertical Lifting Clamp IPU10/H

Blueprint



Technical data

Part code	WLL ton	Jaw width mm	Model	A mm	B mm	C mm	D mm	E mm	F mm	G, mm	H, mm	K mm	J mm	Weight kg
502100050160330	0.5	0-16	0.5-IPU10H	0-16	44	130	216	40	115	42	28	11	-	1.9
502100080200330	0.75	0-20	0.75-IPU10H	0-20	45	139	225	40	127	42	38	11	-	2.4
502100100350330	1	0-35	1-IPU10H	0-35	78	201	368	70	188	64	55	16	-	7.6
502100200400330	2	0-40	2-IPU10H	0-40	100	253	436	75	222	78	60	20	-	14.8
502100300400330	3	0-40	3-IPU10H	0-40	100	253	436	75	227	82	65	20	-	16
502100450500330	4.5	0-50	4,5-IPU10H	0-50	126	302	525	80	292	84	95	20	44	24
502100600500330	6	0-50	6-IPU10H	0-50	126	325	552	70	310	94	104	20	44	29.5